

Contact Tom Daniels

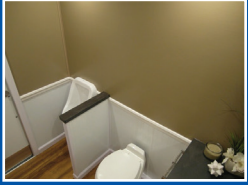
(210) 476.0738

(210) 834.3954

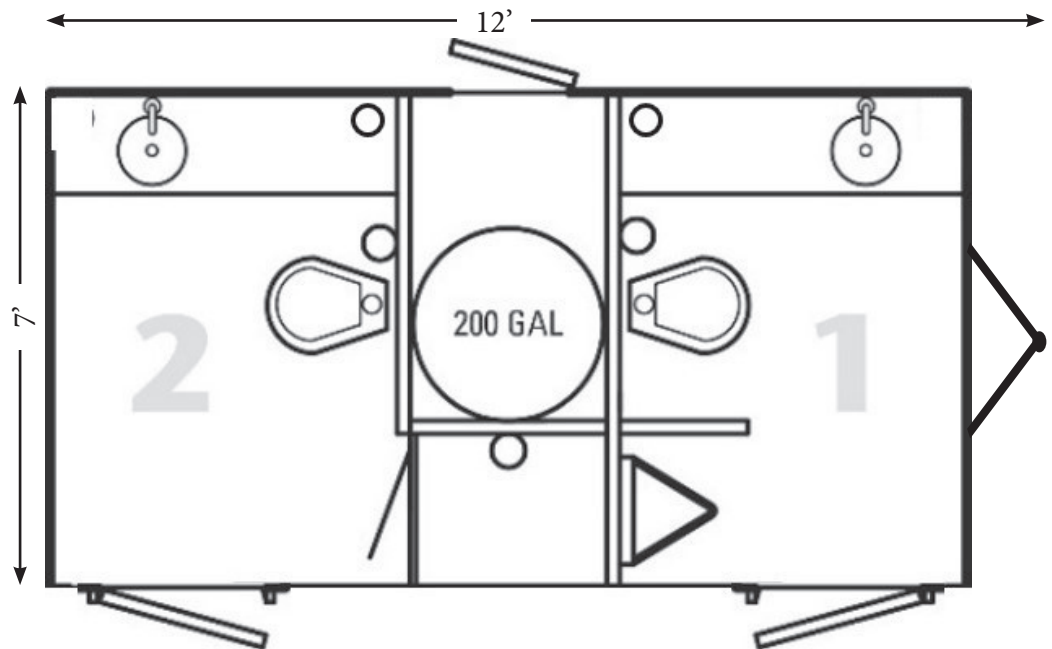
A Royal Flush
Air Conditioned Mobile Restrooms

Visit us at:
www.aroyalflush.net

The Izabella



The Izabella
2 Station
200 Gallon Fresh Water Tank



AMENITIES

- LED Exterior Lights
- LED Ceiling Lights
- Occupied Lights at Door
- Switched Exterior Porch Lights at each Door
- Chrome Metered Faucets
- On Demand Water Pump
- Waterless Urinal
- White Smooth Fiberglass Ceiling Surface
- Safety Glass Backed Mirrors
- Hands Free Faucets
- Solid Surface Sink Tops
- Double Toilet Paper Dispensers
- Paper Towel & Soap Dispensers
- Woodgrain Floors
- Internal Hidden Trash System
- 490 Gallon Waste Tank