

Contact: Tom Daniels

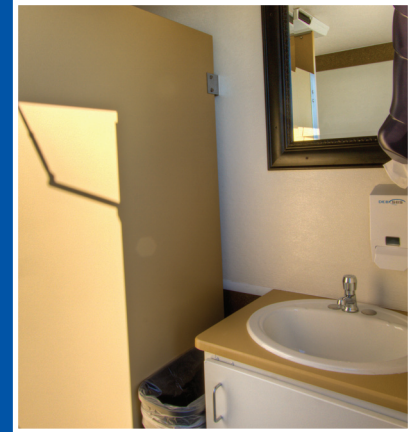
210.834.3954
210.476.0738

A Royal Flush

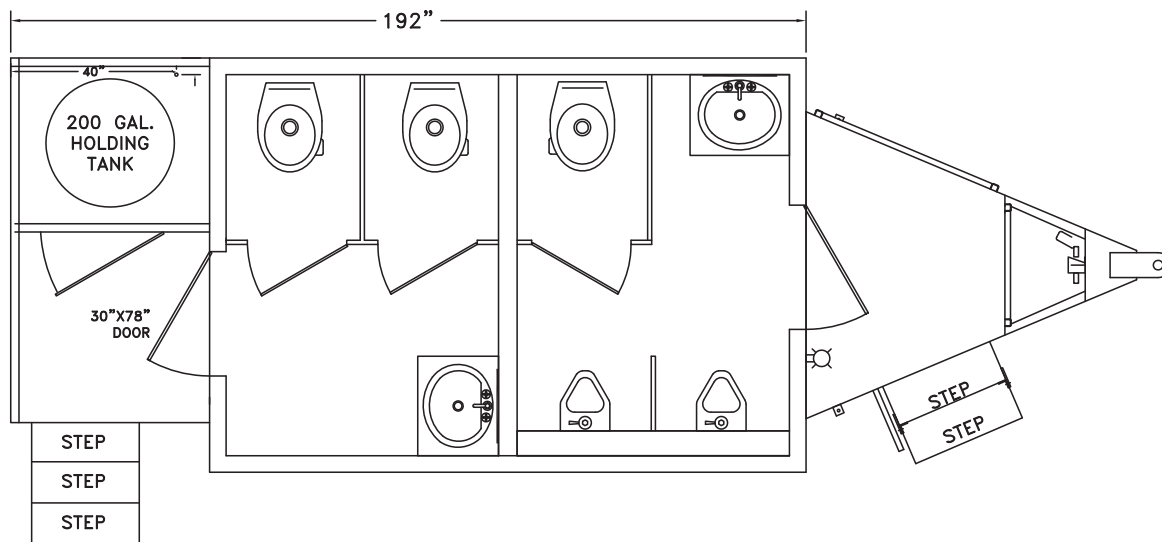
Mobile Restroom Suites

Visit us at:
www.aroyalflush.net

The Ultimate Mobile Restroom



The Ultimate Mobile Restroom Trailer features distinctive wainscoting, crown molding & graffiti resistant walls, durable flooring.



The Ultimate Restroom Trailer consists of the following:

Women's side: air-conditioning, two partitioned & private porcelain flushing toilets, one sink, paper & soap dispensers and automatic air-freshener dispensers.

Men's side: air-conditioning, one full enclosed and private porcelain flushing toilet, two wall hanging porcelain urinals, on sink, paper & soap dispensers & automatic air-freshener dispenser.

A Master Stereo/CD system provides music to both sides.

Requirements:

Level ground.

Power: access to two dedicated 20 amp circuit within fifty feet of the trailer. Water: access to a water source with a garden hose connection within fifty feet of the trailer.

The trailer is equipped with a 200 fresh water tank with a pressure pump to supply water than can be filled on site prior to placement if the presence of a garden hose is not acceptable. The waste holding tank is 700 gallons.